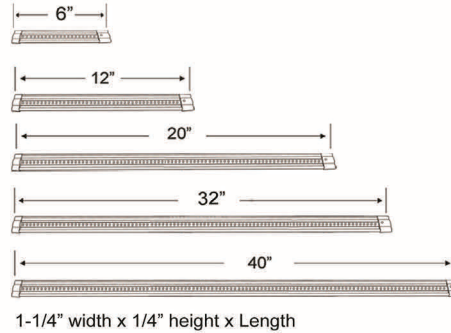




DIMENSION:



Accessories included:



**UC6WW UC6W UC12WW UC12W
UC20WW UC20W UC32WW UC32W
UC40WW UC40W**

24-Volt LED Undercabinet

Very low profile, easy to install, cool to the touch
High brightness with excellent color rendition and years of maintenance free operation
Wide selection of mounting hardware, accessories and LED drivers

ELECTRICAL SPECIFICATIONS:

- Highly efficient SMD 3528 chip technology
- Integral switch, push on - push off
- Working voltage: 24V DC - (driver required)
- Electronic or hard wired magnetic drivers available

MOUNTING:

- Mounting hardware and coupler included
- Polycarbonate end caps with universal feed thru mono-pin receptacle

WARRANTY:

- Five-year warranty

LIGHTING SPECIFICATIONS:

- Color temperatures: warm white (3000K), cool white (6000K)
- Suitable for interior applications only
- Ambient temperature rating: -20°C (4°F) to +40°C (104°F)
- Max run 48w 190"
- Dimmable using magnetic low voltage transformer:
 1. Hardwire application will require "magnetic low voltage dimmable driver DC" For WestGate UCM Series-use compatible "magnetic low voltage wall dimmer"
 2. The touch dimmer or the "in line dimmer" can only be used with the in line transformer

HOUSING SPECIFICATIONS:

- Ultra-low profile - only 1/4" deep
- Extruded aluminum housing with white powder coat finish
- Smooth white acrylic lens (.125" thickness). No lamp imaging

CERTIFICATIONS:

- UL-listed



JOB NAME: _____

DATE: _____

TYPE: _____

**UC6WW UC6W UC12WW UC12W
 UC20WW UC20W UC32WW
 UC32W UC40WW UC40W**

24-Volt LED Undercabinet



ORDER INFORMATION:

MODEL NO	LENGTH	WATTS	LUMENS	LED QTY	COLOR TEMP
UC6WW	6"	2W	140	24	WW 3000K
UC6W	6"	2W	168	24	CW 6000K
UC12WW	12"	3W	250	42	WW 3000K
UC12W	12"	3W	280	42	CW 6000K
UC20WW	20"	5W	420	72	WW 3000K
UC20W	20"	5W	462	72	CW 6000K
UC32WW	32"	8W	590	96	WW 3000K
UC32W	32"	8W	640	96	CW 6000K
UC40WW	40"	11W	820	144	WW 3000K
UC40W	40"	11W	880	144	CW 6000K

